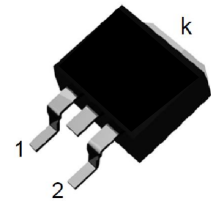


## Features

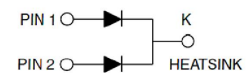
- Plastic package has underwriters Laboratory Flammability Classification 94V-0
- Dual rectifier construction, positive center tap
- Low forward voltage, high efficiency



Package: TO-263 (D<sup>2</sup>PAK)

## Mechanical Data

- Case: epoxy, molded
- Weight: 1.4grams (approximately)
- Lead temperature for soldering purpose: 260°C max. for 10 sec
- 800 pcs per reel



Schematic Diagram

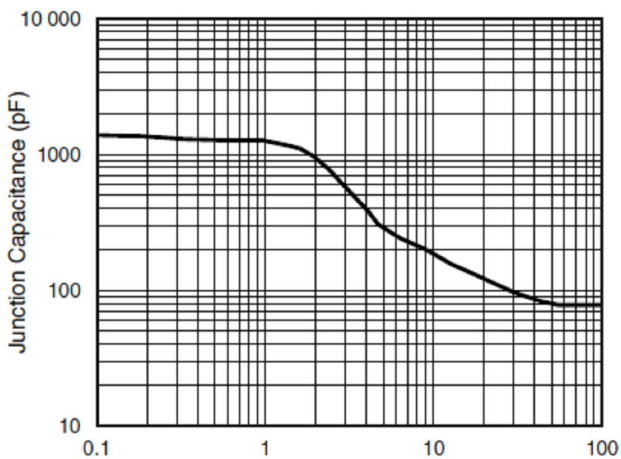
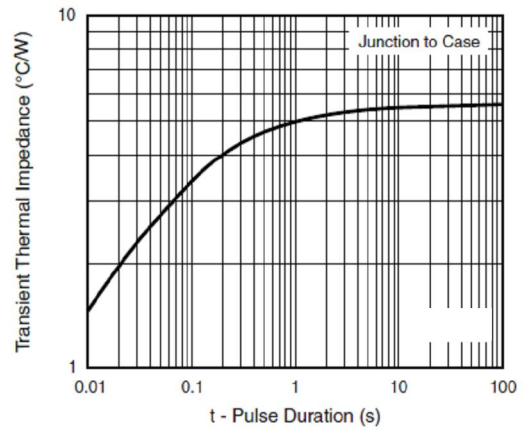
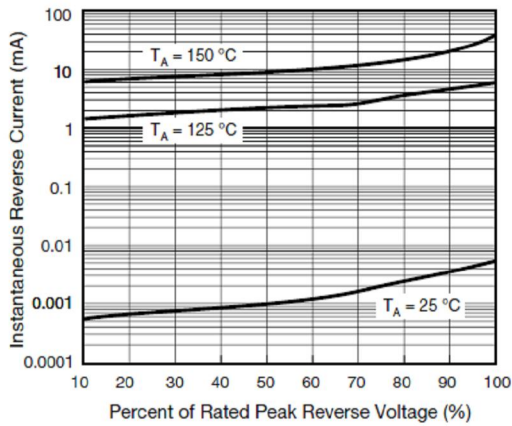
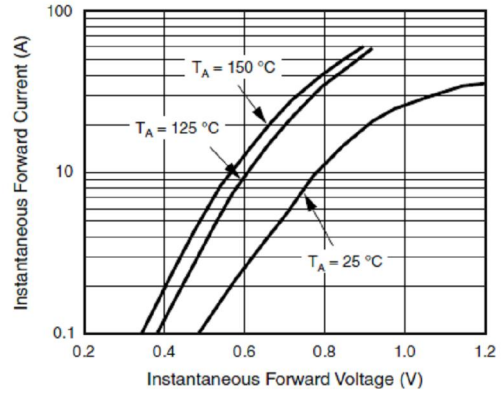
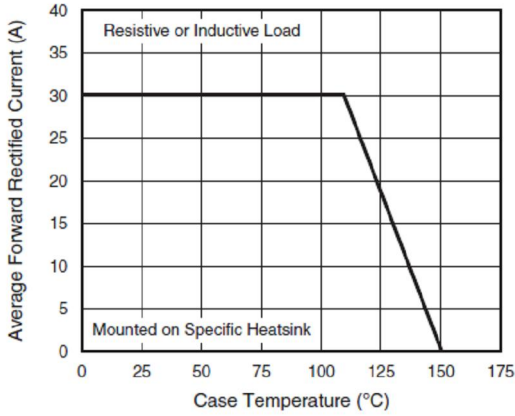
## Maximum Ratings & Electrical Characteristics

(T<sub>A</sub>=25°C unless otherwise noted)

Parameter	Test Conditions	Symbol	Value	Unit
Maximum Repetitive Peak Reverse Voltage		V <sub>RRM</sub>	200	V
Working Peak Reverse Voltage		V <sub>RWM</sub>	200	V
Maximum DC Blocking Voltage		V <sub>DC</sub>	200	V
Maximum Average Forward Rectified Current @ T <sub>c</sub> =105°C	Total Device Per Diode	I <sub>F(AV)</sub>	30 15	A
Peak Forward Surge Current 8.3ms Single Half Sine-wave Superimposed on Rated Load per Diode		I <sub>FSM</sub>	200	A
Peak repetitive Reverse Current Per Leg at tp=2.0µs ,1KHz		I <sub>RRM</sub>	2.0	A
Voltage Rate of Change (rated V <sub>R</sub> )		DV/dt	10000	V/µs
Operating Junction Temperature Range		T <sub>J</sub>	- 55 to+150	°C
Storage Temperature Range		T <sub>STG</sub>	- 55 to+150	°C
Maximum Instantaneous Forward Voltage per Leg	I <sub>F</sub> =10A T <sub>C</sub> =25°C	V <sub>F</sub>	0.80 (typ.)	V
	I <sub>F</sub> =15A T <sub>C</sub> =25°C		0.98	
	I <sub>F</sub> =15A T <sub>C</sub> =125°C		0.89	
Maximum Reverse Current per Leg at Working Peak Reverse Voltage	T <sub>J</sub> =25°C	I <sub>R</sub>	500	µA
	T <sub>J</sub> =100°C		50	mA
<b>Thermal Characteristics (T<sub>A</sub>=25°C unless otherwise noted)</b>				
<b>Symbol</b>	<b>Parameter</b>	<b>Typ.</b>		<b>Unit</b>
R <sub>θJC</sub>	Thermal Resistance, Junction to Case per Leg	2.0		°C/W
R <sub>θJA</sub>	Thermal Resistance, Junction to Ambient per Leg	62.5		°C/W

**Note:** Pulse test:300us pulse width, duty cycle=2%

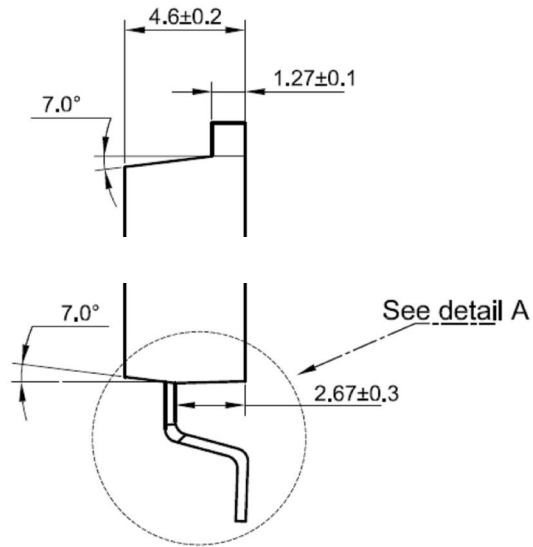
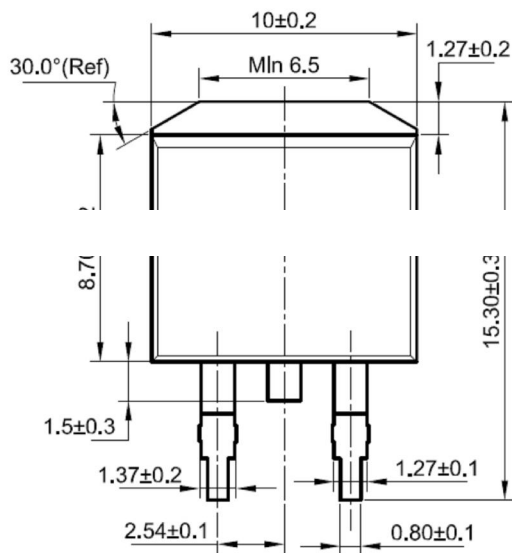
## Ratings and Characteristics Curves ( $T_A = 25^\circ\text{C}$ unless otherwise noted)



## Package Outline Dimensions

in millimeters

TO-263 (D<sup>2</sup>PAK)



### Detail A

