

# MLSEP30A-0402

## Multilayer Polymer ESD Suppressor

### Description

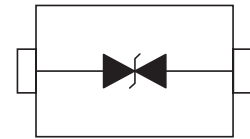
The MLSEP30A-0402 is an ultra low capacitance PESD product designed to protect very high speed data interfaces. The device has a typical capacitance of only 0.05pf (I/O to GND), and it can be used to meet the ESD immunity requirements of IEC61000-4-2 (15KV air, 8KV contact discharge).



Case: 0402

### Feature

- ESD protection for high speed data lines to IEC61000-4-2
- ESD contact discharge typical 8KV, max 15KV
- ESD air discharge typical 15KV, max 25KV
- ESD pulse withstand typical >1000 times
- Multilayer structure
- Surface mount
- Extremely low capacitance
- Very low leakage current
- Fast response time
- Bi-directional ESD protection
- Lead free solder termination
- Ideal ESD protection for high frequency, low voltage applications



Schematic Diagram

### Applications

- High Definition Multi-Media Interface (HDMI)
- Digital Visual Interface (DVI)
- Display Port Interface (DP)
- Unified Display Interface (UDI)
- Mobile Display Digital Interface (MDDI)
- Gigabit Ethernet
- USB2.0 and USB3.0
- IEEE1394 Interface
- RF Antenna

## Multilayer Polymer ESD Suppressor

### Absolute Maximum Ratings

Parameter	Symbol	Value	Unit
Maximum Contact Discharge Voltage Per IEC61000-4-2	---	15KV	V
Maximum Air Discharge Voltage Per IEC61000-4-2	---	25KV	V
Maximum Operating Temperature	T <sub>OPER</sub>	-40 to +90	°C
Maximum Storage Temperature	T <sub>STG</sub>	-55 to +125	°C
Maximum Lead Temperature for Soldering During 10s	T <sub>L</sub>	260	°C

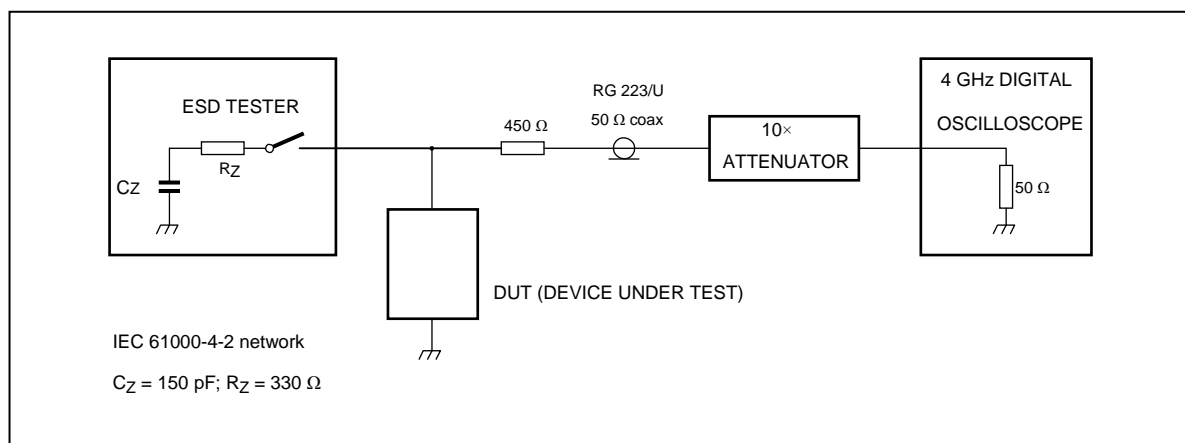
### Electrical Characteristics(T<sub>A</sub>=25°C)

Parameter	Symbol	Test Conditions	Min	Typ	Max	Units
Rated Voltage	V <sub>R</sub>	---	---	---	30	V
Trigger Voltage	V <sub>T</sub>	IEC61000-4-2 8KV contact discharge	---	300	---	V
Clamping Voltage	V <sub>C</sub>	IEC61000-4-2 8KV contact discharge	---	20	---	V
Leakage Current	I <sub>L</sub>	DC 30V shall be applied on component	---	0.10	100	nA
Capacitance	C <sub>P</sub>	V <sub>R</sub> = 0V, f = 1MHz	---	0.05	0.15	pF

**Note:** 1 Trigger and clamping voltage are measured per IEC 61000-4-2, 8KV contact discharge method.

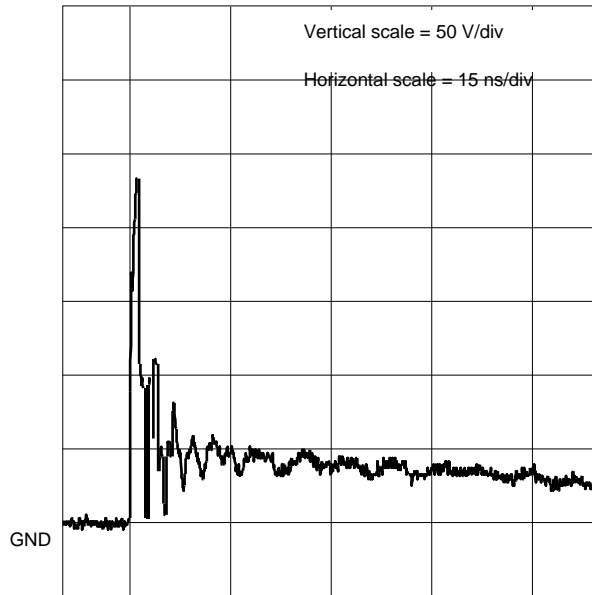
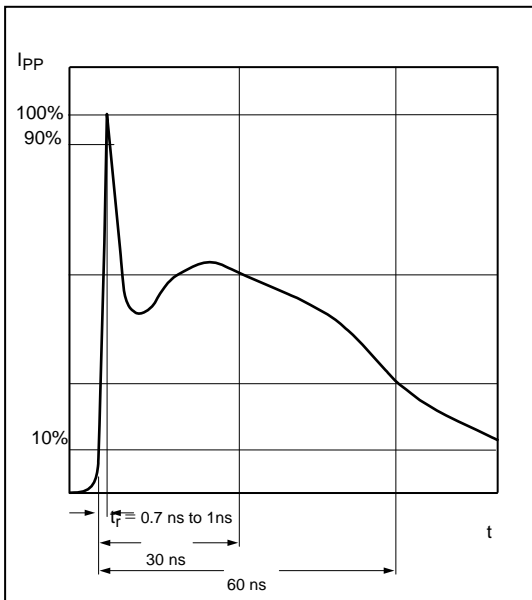
2 After reliability tests such as high temp storage, temp cycles, continuous ESD strike etc, the maximum leakage current is less than 10uA.

### ESD Clamping Test

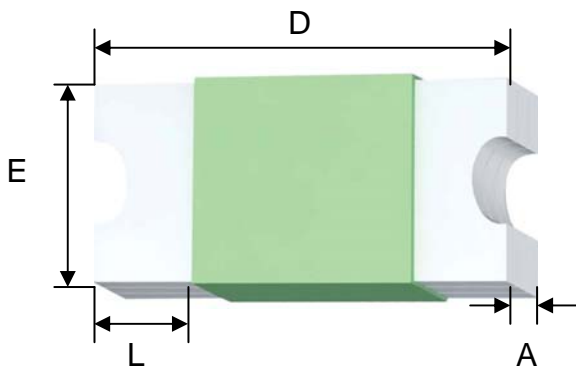


**Multilayer Polymer ESD Suppressor**

**ESD Clamping Test Waveforms**

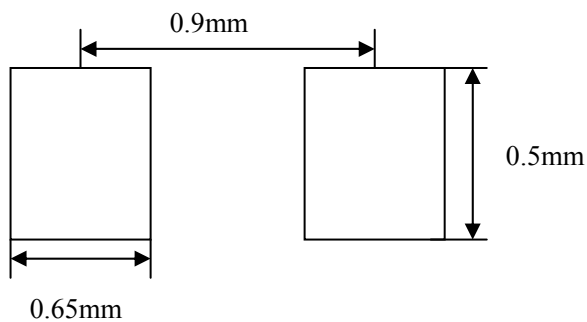


**Package Outline Dimensions**



Dimension	Unit: Millimeters		
	Min	Typ	Max
D	0.90	1.05	1.20
E	0.45	0.55	0.65
L	0.15	0.25	0.35
A	0.25	0.36	0.45

**PAD Dimension**

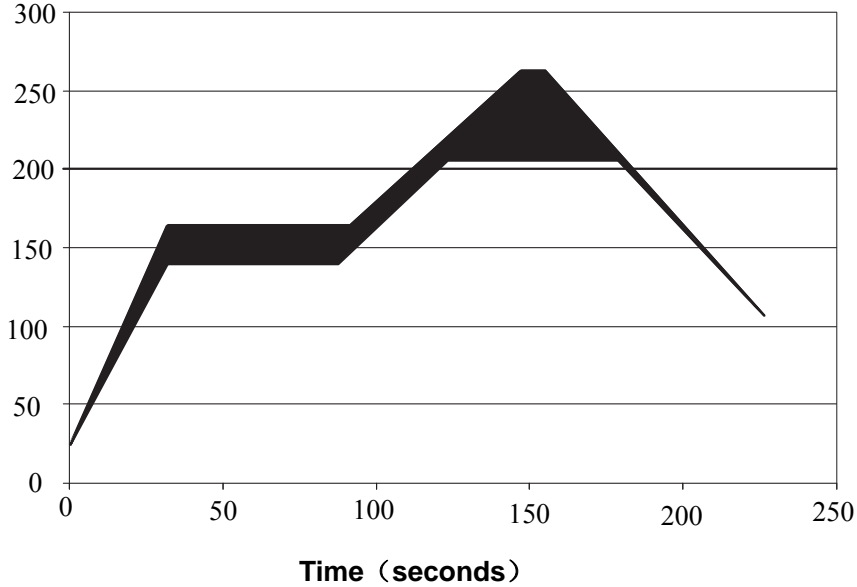


Solder thickness 0.15 to 0.2mm

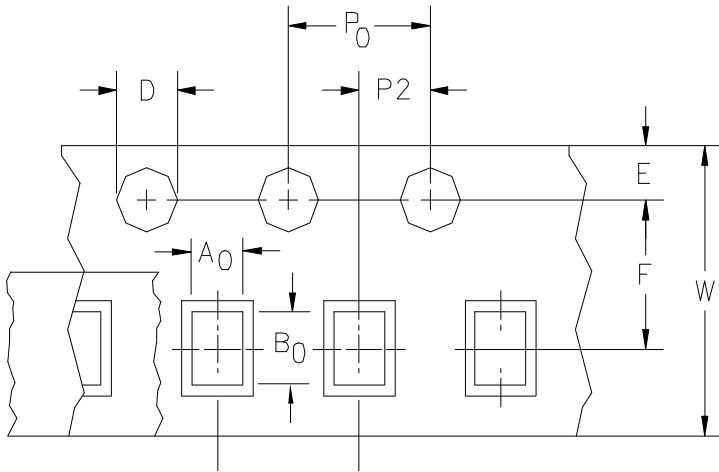
# MLSEP30A-0402 Multilayer Polymer ESD Suppressor

## Solder Reflow Recommendations

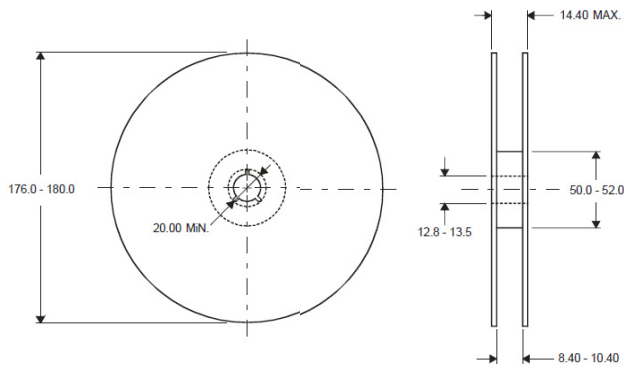
Temperatures (°C)



## Package Information



Dimension	Typical	Unit
A0	0.75	mm
B0	1.22	
D	1.55	
P0	4.00	
P1	2.00	
P2	2.00	
E	1.75	
F	3.50	
W	8.00	



DIMENSIONS ARE: MILLIMETERS