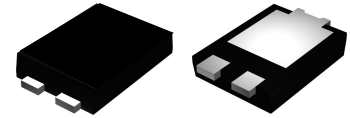


## Features

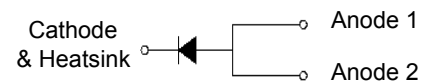
- Low profile - typical height 1.1 mm
- Low forward voltage drop
- Low leakage current
- Moisture sensitivity: level 1, per J-STD-020
- High temperature soldering guaranteed: 260°C/10 seconds
- Halogen-free according to IEC 61249-2-21 definition



Package:  
eSGC (TO-277)

## Applications

For low voltage high frequency inverters, DC/DC converters and polarity protection applications.



Schematic Diagram

## Maximum Ratings ( $T_A = 25^\circ\text{C}$ unless otherwise noted)

Parameter	Symbol	Value	Unit
Maximum Repetitive Peak Reverse Voltage	$V_{RRM}$	100	V
Maximum RMS Voltage	$V_{RMS}$	70	V
Maximum DC Blocking Voltage	$V_{DC}$	100	V
Maximum Average Forward Rectified Current	$I_{F(AV)}$	5.0	A
Peak Forward Surge Current (8.3ms single half sine-wave superimposed on rated load)	$I_{FSM}$	175	A
Operating Junction and Storage Temperature Range	$T_J, T_{STG}$	-55 to +150	$^\circ\text{C}$

## Electrical Characteristics ( $T_A = 25^\circ\text{C}$ unless otherwise noted)

Parameter	Test Conditions		Symbol	Typ.	Max.	Unit
Maximum Instantaneous Forward Voltage	$I_F=1\text{A}$	$T_A=25^\circ\text{C}$	$V_F$	0.51	0.55	V
	$I_F=2\text{A}$			0.58	0.65	
	$I_F=5\text{A}$			0.70	0.75	
	$I_F=1\text{A}$	$T_A=85^\circ\text{C}$		0.45	0.50	
	$I_F=2\text{A}$			0.53	0.60	
	$I_F=5\text{A}$			0.62	0.68	
	$I_F=1\text{A}$	$T_A=125^\circ\text{C}$		0.40	0.45	
	$I_F=2\text{A}$			0.47	0.55	
	$I_F=5\text{A}$			0.56	0.62	
Maximum DC Reverse Current at Rated DC Blocking Voltage	Rated $V_R$	$T_A=25^\circ\text{C}$	$I_R$	0.05	0.1	mA
		$T_A=85^\circ\text{C}$		0.2	1	
		$T_A=125^\circ\text{C}$		1	20	
Junction Capacitance	4.0 V, 1 MHz		$C_J$	265		pF
Typical Thermal Resistance	Juntion to Lead		$R_{\theta JL}$	60		$^\circ\text{C/W}$

## Ratings and Characteristics Curves ( $T_A = 25^\circ\text{C}$ unless otherwise noted)

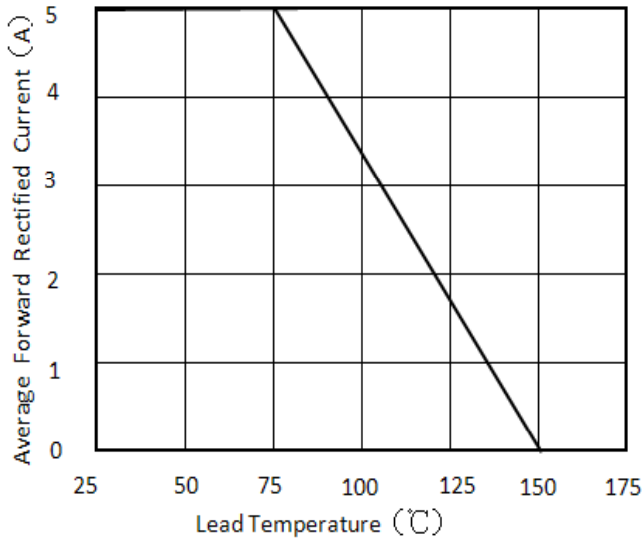


Figure 1. Forward Current Derating Curve

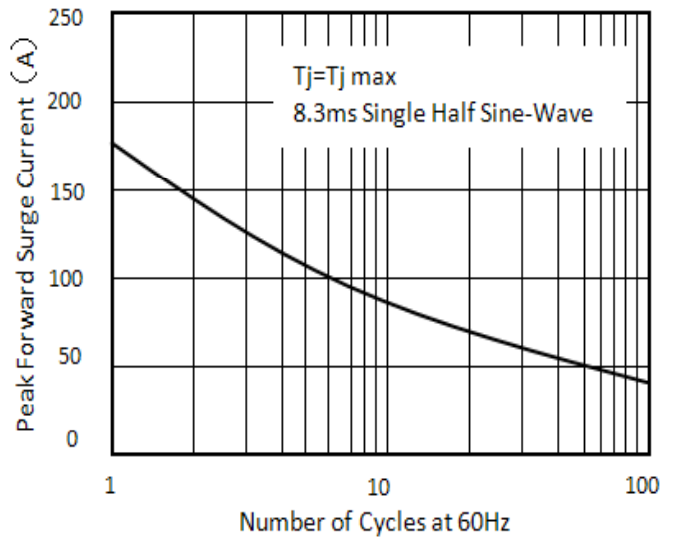


Figure 2. Maximum Non-Repetitive Peak Forward Surge Current

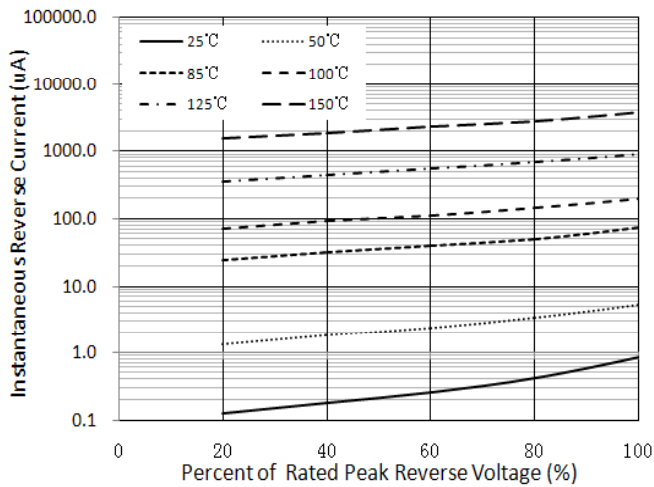


Figure 3. Typical Reverse Characteristics

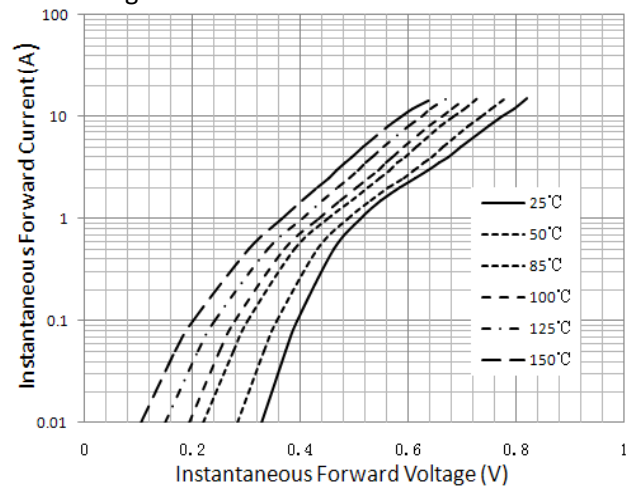


Figure 4. Typical Instantaneous Forward Characteristics

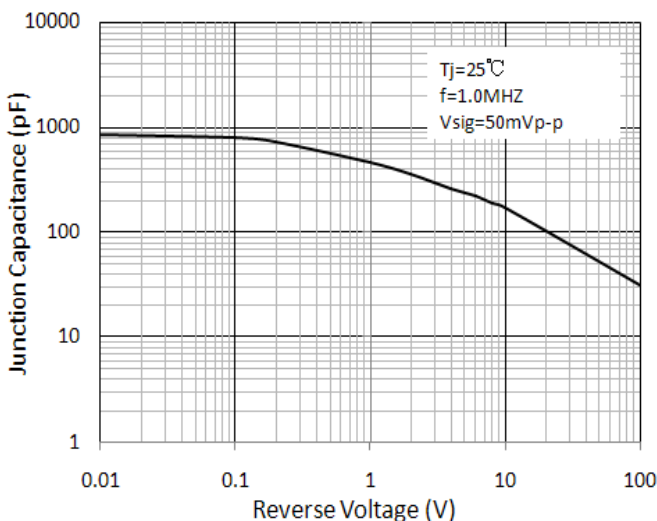
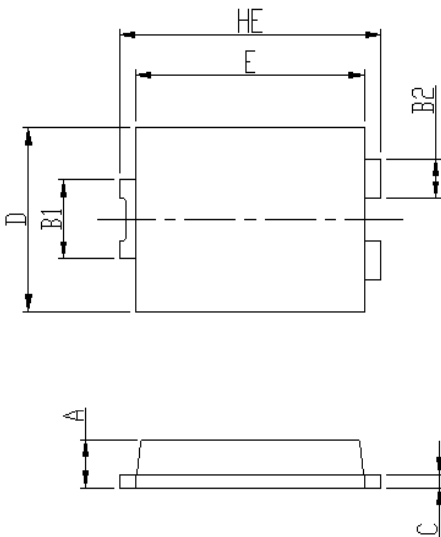


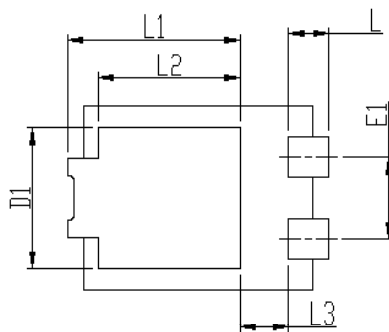
Figure 5. Typical Junction Capacitance

## Package Outline Dimensions

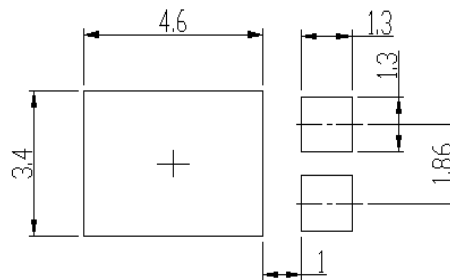
eSGC (TO-277)



DIM	Unit: mm		Unit: inch	
	MIN	MAX	MIN	MAX
HE	6.4	6.6	0.252	0.260
E	5.6	5.8	0.220	0.228
D	4.1	4.3	0.161	0.169
B1	1.7	1.9	0.067	0.075
B2	0.8	1	0.031	0.039
A	1.05	1.2	0.041	0.047
C	0.3	0.4	0.012	0.016
L	0.85	1.1	0.033	0.043
L1	4.2	4.4	0.165	0.173
L2	3.52 Typ.		0.139 Typ.	
L3	1.1	1.4	0.043	0.055
D1	3	3.3	0.118	0.130
E1	1.86 Typ.		0.073 Typ.	



Soldering footprint



## Packing Information

### Packing quantities

5000 pcs/Reel, 12 mm Tape, 13" Reel

### Tape & Reel Specification

