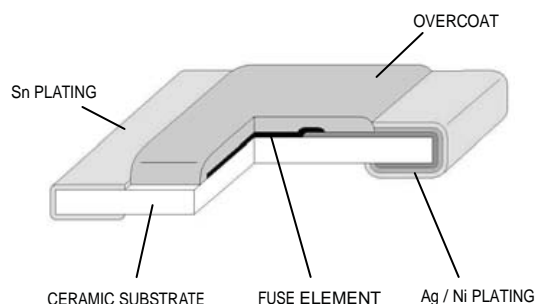


## Description

- High inrush current withstanding capability
- Compatible with reflow and wave solder
- Rugged ceramic and glass construction
- Excellent environmental performance
- RoHS Compliant, Lead Free & Halogen Free material

## Applications

- Telecommunication: PDA / DSL
- Computers: LCD Panels / Printers/ Laptops/ Servers
- Consumer Electronics: DVD players / MP3 and MP4 Players



Case: 1206

## Environmental Data

- Life Test: MIL-STD-202, Method 108D
- Humidity Bias: MIL-STD-202, Method 103
- Moisture Resistance Test: MIL-STD-202, Method 106G
- Thermal Shock: MIL-STD-202, Method 107G
- Terminal Strength: AEC-Q200-006
- Board Flex: AEC-Q200-005
- Vibration: MIL-STD-202, Method 204C
- Mechanical Shock: MIL-STD-202, Method 213C
- Solderability: ANSI/J-STD-202
- Resistance to Solder Heat: MIL-STD-202, Method 210B
- Resistance to Solvents Test: MIL-STD-202, Method 215

## Electrical Characteristics

Ampere Rating	% of Amp Rating	Opening Time
1A-7A	100%	4 Hours Minimum
1A-7A	200%	1~120 Senconds
1A-7A	300%	0.1~3 Senconds
1A-7A	800%	0.002~0.05 Seconds

## Electrical Specifications

Product Code	Current Rating	Voltage Rating DC	Interrupting Rating*	Resistance (ohms)** Typ.	Typical Melt I <sup>2</sup> t *** (A <sup>2</sup> s)	Alpha Code Marking
SP1206S1	1A	63V	50A	0.42	0.10	H
SP1206S1.25	1.25A	63V	50A	0.25	0.22	J
SP1206S1.5	1.5A	63V	50A	0.21	0.25	K
SP1206S2	2A	63V	50A	0.13	0.59	N
SP1206S2.5	2.5A	32V	50A	0.08	0.88	O
SP1206S3	3A	32V	50A	0.05	1.10	P
SP1206S3.5	3.5A	32V	50A	0.036	1.55	R
SP1206S4	4A	32V	50A	0.03	2.30	S
SP1206S4.5	4.5A	32V	50A	0.025	3.55	X
SP1206S5	5A	32V	50A	0.02	5.40	T
SP1206S5.5	5.5A	24V	60A	0.016	6.20	▲
SP1206S6	6A	24V	60A	0.013	8.10	Y
SP1206S7	7A	24V	60A	0.012	9.88	U

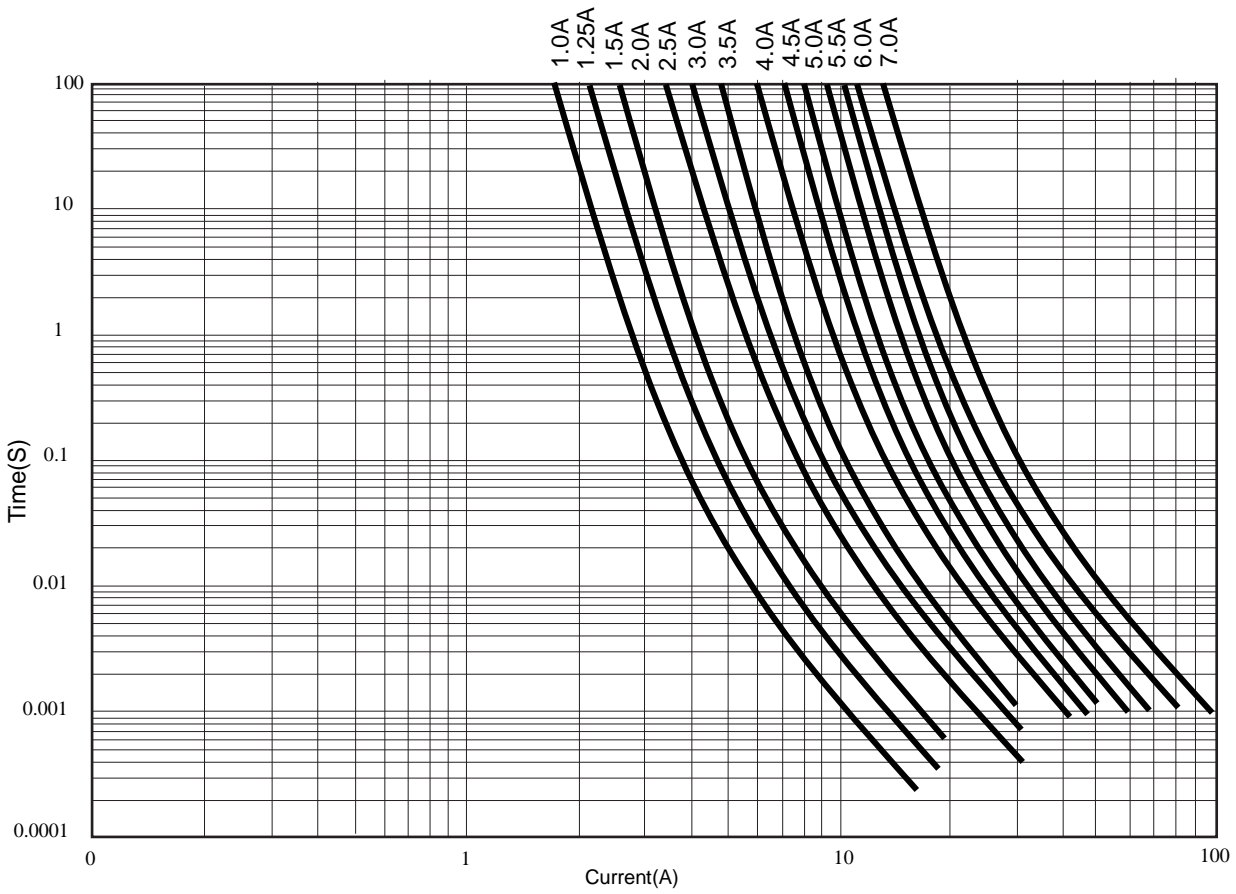
\* DC interrupting rating (Measured at rated voltage, time constant of less than 50 microseconds, battery source)

\*\* DC Cold Resistance (Measured at 10% of rated current)

\*\*\* Typical Melting I<sup>2</sup>t (Measured with a battery bank at rated DC voltage, 10x-rated current, not to exceed IR, time constant of calibrated circuit less than 50 microseconds) (S1206S7A measured at interrupting rating)

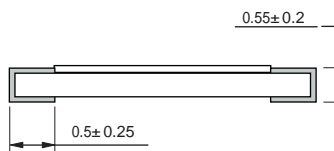
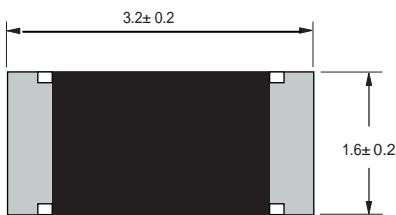
Device designed to carry rated current for four hours minimum. An operating current of 75% or less of rated current is recommended, with further derating required at elevated ambient temperatures.

**Typical Performance Curves**

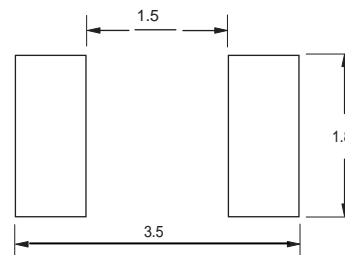


**Product Dimensions**

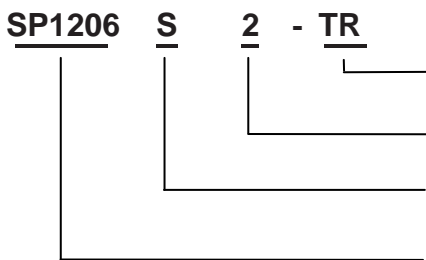
DIMENSIONS:mm



**Recommended Pad Layout**



**Part Number System**



**Packing Code**  
**Ampere Rating**  
**S (Slow Blow)**  
**Series(1206 size)**

Note: TR: 5,000 pieces of fuses on 8mm tape and reel on a 7 inch (178mm) reel per EIA Standard 481