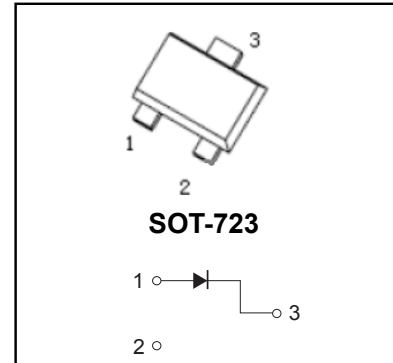


Features

- Extremely Fast Switching Speed
- Low Forward Voltage



Absolute Maximum Ratings

($T_A=25^{\circ}\text{C}$ unless otherwise specified)

Parameter	Symbol	Value	Unit
Peak Repetitive Reverse Voltage	V_{RRM}	30	V
Working Peak Reverse Voltage	V_{RWM}		
RMS Reverse Voltage	$V_{R(RMS)}$	21	V
Average Forward Current	I_O	200	mA
Power Dissipation	P_D	150	mW
Thermal Resistance from Junction to Ambient	$R_{\theta JA}$	667	$^{\circ}\text{C/W}$
Junction Temperature	T_J	125	$^{\circ}\text{C}$
Storage Temperature	T_{stg}	-55~+150	$^{\circ}\text{C}$

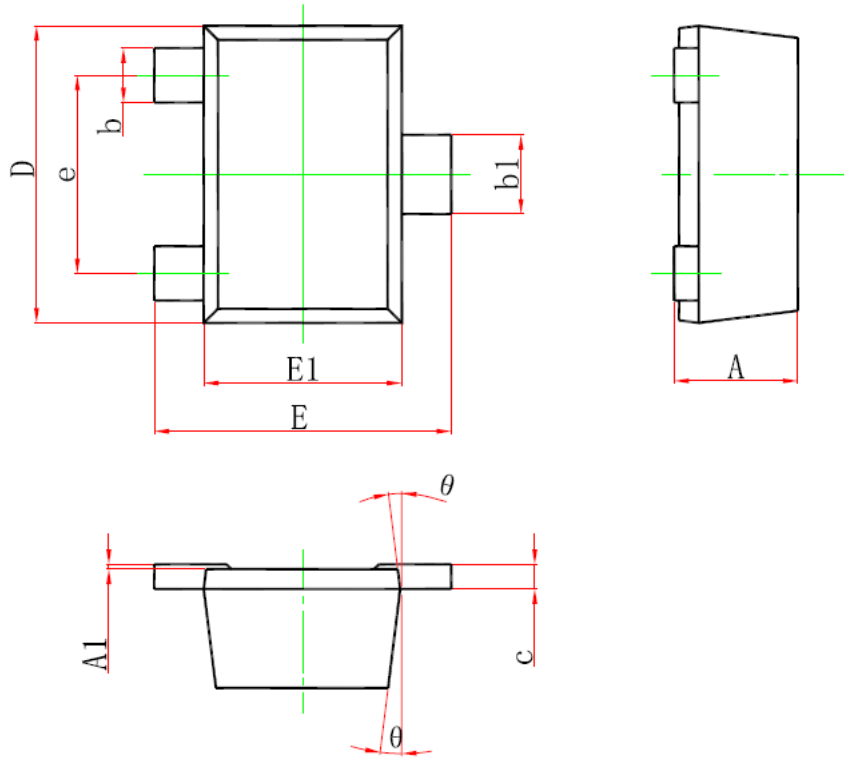
Electrical Characteristics

($T_A=25^{\circ}\text{C}$ unless otherwise specified)

Parameter	Symbol	Test conditions	Min	Typ	Max	Unit
Reverse Voltage	$V_{(BR)}$	$I_R=100\mu\text{A}$	30			V
Reverse Current	I_R	$V_R=25\text{V}$			2	μA
Forward Voltage	V_F	$I_F=0.1\text{mA}$			0.24	V
		$I_F=1\text{mA}$			0.32	
		$I_F=10\text{mA}$			0.4	
		$I_F=30\text{mA}$			0.5	
		$I_F=100\text{mA}$			1	
Total Capacitance	C_{tot}	$V_R=1\text{V}, f=1\text{MHz}$			10	pF
Reverse Recovery Time	t_{rr}	$I_F=I_R=10\text{mA}, I_{R(REC)}=1\text{mA}$			5	ns



Package Outline Dimensions



Symbol	Dimensions In Millimeters		Dimensions In Inches	
	Min.	Max.	Min.	Max.
A	0.430	0.500	0.017	0.020
A1	0.000	0.050	0.000	0.002
b	0.170	0.270	0.007	0.011
b1	0.270	0.370	0.011	0.015
c	0.080	0.150	0.003	0.006
D	1.150	1.250	0.045	0.049
E	1.150	1.250	0.045	0.049
E1	0.750	0.850	0.030	0.033
e	0.800TYP.		0.031TYP.	
θ	7° REF.		7° REF.	